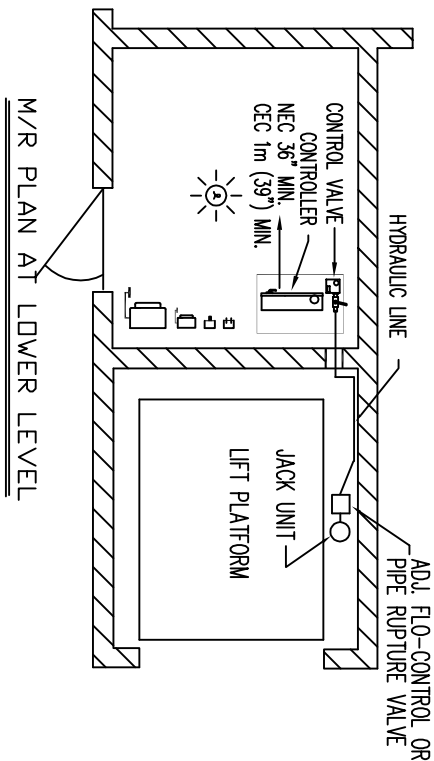
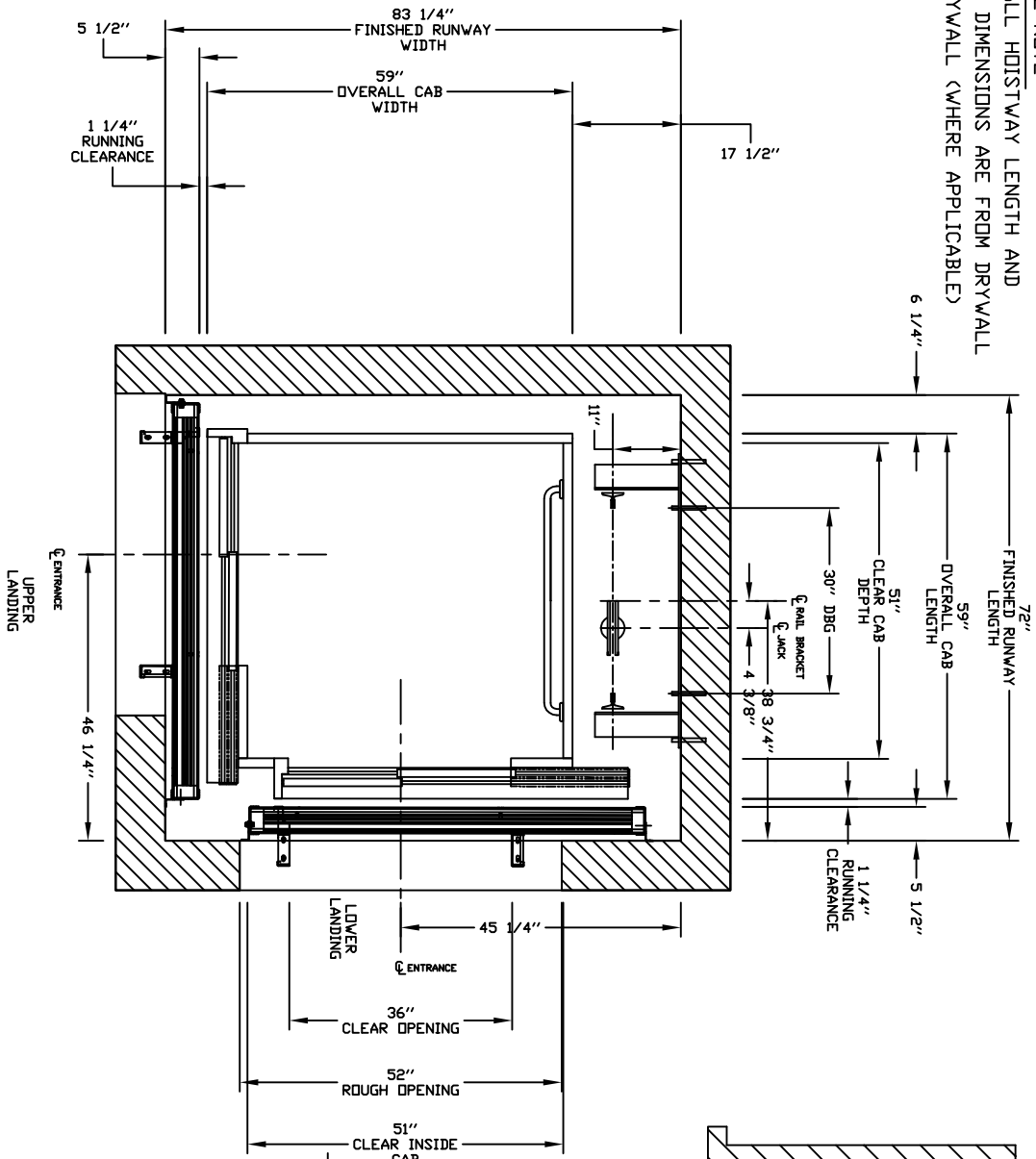


PLEASE NOTE:  
 OVERALL HOISTWAY LENGTH AND  
 WIDTH DIMENSIONS ARE FROM DRYWALL  
 TO DRYWALL (WHERE APPLICABLE)

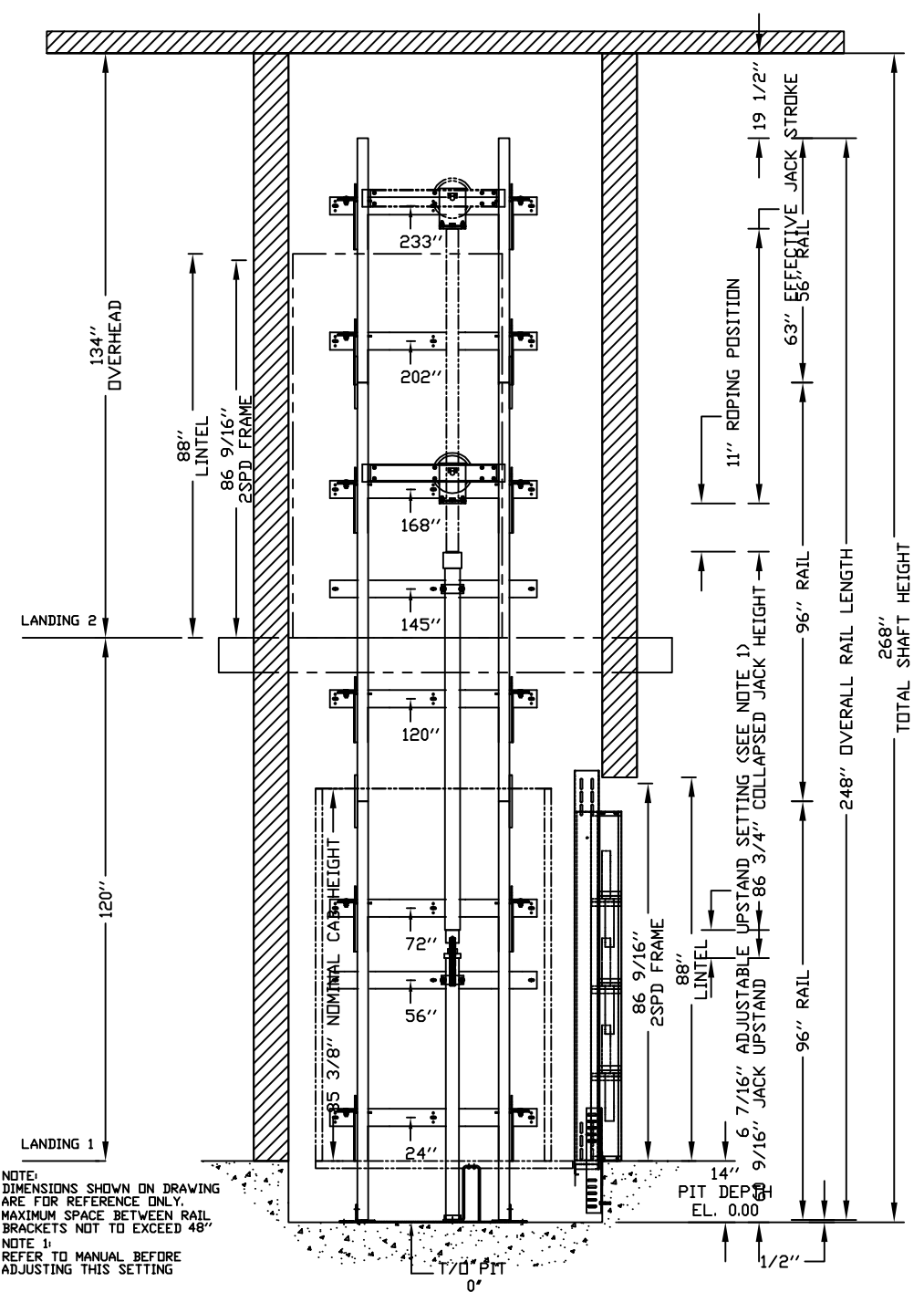
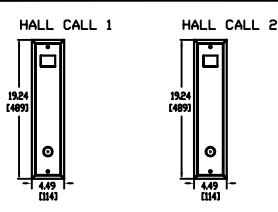
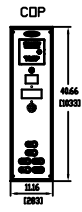


PRELIMINARY DRAWING ONLY  
 DRAWING APPROVAL:  
 THIS DRAWING REFLECTS OUR INTERPRETATION OF THE INFORMATION PROVIDED BY THE CLIENT AND THE DESIGNER. THIS DRAWING IS THE PROPERTY OF SAVARIA AND THE USER ASSUMES ALL LIABILITY FOR THE DESIGN AND MANUFACTURE. PLEASE INDICATE THE REQUESTED ACTION BY CHECKING ONE OF THE FOLLOWING BOXES AND SIGNING BELOW TO AUTHORIZE COMPLETION OF THIS ORDER.  
 APPROVED WITH NO EXCEPTIONS  
 MANUFACTURE PRODUCT AS PER DRAWING  
 APPROVED WITH EXCEPTIONS, NO REAPPROVAL REQUIRED  
 MAKE CHANGES AS NOTED, NO REAPPROVAL REQUIRED  
 CHANGE AS NOTED, REAPPROVAL REQUIRED  
 MAKE CHANGES AS NOTED, SEND CORRECTED DRAWING FOR REAPPROVAL BEFORE MANUFACTURE

SIGNATURE: \_\_\_\_\_ DATE: \_\_\_\_\_  
 CAUTION: ONCE THE DRAWING IS APPROVED, JOB CANCELLATION FEES WILL APPLY

# PLAN VIEW

|  |                          |                  |
|--|--------------------------|------------------|
| CUSTOMER: NATIONWIDE LIFTS-N.Y.                    | OFFICE USE ONLY:         | Part No.         |
| PROJECT: LULA - Doors 90 Degrees Right - Cab 51x51 | OPERATION VERSION: 0.0   | 38986            |
| ADDRESS: Nationwide Lifts                          | MODEL VERSION: D-3-65    |                  |
| 389-233-8130                                       | DATE: 10/30/14           |                  |
|  | DESIGN DATE: 10/30/14    |                  |
|  | DESIGNED BY: [Signature] |                  |
|  | CHECKED BY: [Signature]  |                  |
|  | DATE: 10/30/14           |                  |
|  | SAVARIA                  |                  |
| JOB No. [ ]  |                          | SHEET No. 1 OF 4 |



NOTE:  
DIMENSIONS SHOWN ON DRAWING  
ARE FOR REFERENCE ONLY.  
MAXIMUM SPACE BETWEEN RAIL  
BRACKETS NOT TO EXCEED 48"  
NOTE 1:  
REFER TO MANUAL BEFORE  
ADJUSTING THIS SETTING

PIT PROP PROVIDED IN CONFORMANCE TO CLAUSE 5.2.1.4.2

|                              |        |                   |
|------------------------------|--------|-------------------|
| <b>OFFICE USE ONLY:</b>      |        | Part No.          |
| CONFIGURATION VERSION STAMP: | 0.0    | Variant No. 38986 |
| MODULE VERSION STAMP:        | 0-S-65 |                   |

ELEVATION VIEW B-B

CUSTOMER: NATIONWIDE LIFTS-N.Y.  
PROJECT: LULA - Doors 90 Degrees Right - Cab 51x51  
ADDRESS: Nationwide Lifts  
0800-1000-0100

DATE: 10/30/14  
REVISION DATE: 10/30/14  
COMPLETED BY: [Signature]  
JOB No. [ ] SHEET No. 2 OF 4



# PROVISIONS BY OTHERS

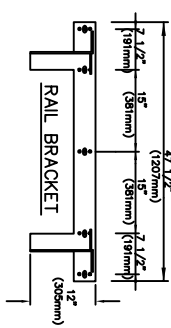
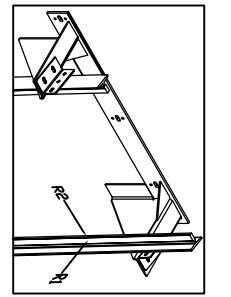
**\*GENERAL**  
 HOISTWAY - THE HOISTWAY MUST BE IN ACCORDANCE WITH SAFETY CODE FOR ELEVATORS AND ESCALATORS (ASSE A17.1) AND ALL STATE AND LOCAL CODES.  
 PLUMB HOISTWAY - DUE TO CLOSE RUNNING CLEARANCES DIVER/AGENT MUST ENSURE THAT HOISTWAY AND PIT (WHERE PROVIDED) ARE LEVEL, PLUMB AND SQUARE AND ARE IN ACCORDANCE WITH THE DIMENSIONS ON THESE DRAWINGS.  
 MINIMUM OVERHEAD CLEARANCE - DIVER/AGENT MUST ENSURE MINIMUM OVERHEAD CLEARANCE IS IN COMPLIANCE WITH CODES.  
 CONSTRUCTION NOTES - DIVER/AGENT TO PROVIDE ALL MASONRY, CONCRETE AND FINISHES. DIVER/AGENT TO PROVIDE ALL FINISH AND MAKE SURE ALL WORK IS DONE TO THE PROPER LEVEL AND ALL WALLS AND VALVE SADDLES MAY REQUIRE TO BE CUT, DRILL AND/OR WELDED IN ANY WAY TO PERMIT THE PROPER INSTALLATION OF THE LIFT.  
 DIMENSIONS - CONTRACTOR/CUSTOMER TO VERIFY ALL DIMENSIONS AND REPORT ANY DISCREPANCIES TO OUR OFFICE IMMEDIATELY.  
**\*STRUCTURAL**  
 FLOOR/SUPPORT WALL LOADS - STRUCTURE TO ANCHOR A CRANK SHAFT AND SAFETY HARNESS, WHERE APPLICABLE/NEEDED, TO BE PROVIDED BY CONTRACTOR. CONTRACTOR TO ASSURE THAT BUILDING AND SHAFT WILL SAFELY SUPPORT ALL LOADS IMPOSED BY THE LIFT EQUIPMENT. REFER TO THE TABLES ON THIS DRAWING FOR LOADS IMPOSED BY THE EQUIPMENT.  
 WHERE DOORS ARE REQUIRED, SUITABLE LINTELS MUST BE PROVIDED BY DIVER/AGENT. DOOR FRAMES ARE NOT DESIGNED TO SUPPORT OVERHEAD WALL LOADS.  
**\*MACHINE ROOM**  
 LOCATION / ACCESS - MACHINE ROOM LOCATED AT THE LOWEST LEVEL. ADJUSTMENT TO HOISTWAY, UNLESS SHOWN OTHERWISE ON THE LAYOUT DRAWINGS, FIELD ADJUSTMENT BY INSTALLER MAY BE NECESSARY TO MEET JOB SITE CONDITIONS OR REGULATIONS.  
 MACHINE ROOM DOOR IS TO BE LOCKABLE AND IS TO MEET THE REQUIREMENTS OF THE AUTHORITY HAVING JURISDICTION.  
 SLEEVES FOR OIL & ELECTRIC LINES - FROM MACHINE ROOM TO RUNWAY AS REQUIRED. POSITION PER INSTALLER'S INSTRUCTIONS, MINIMUM SCHEDULE 80 PIPING REQUIRED FOR OIL LINES.

| DISCONNECT THE DELAY           | PHASE       | AMPERAGE  |
|--------------------------------|-------------|-----------|
| MOTOR & EQUIP 30 AMPS 208 volt | Three Phase | 15.6 AMPS |
| CAB LIGHTS 15 AMPS 115 V       | 1           |           |

**\*ELECTRICAL**  
 DIVER SUPPLY - (SEE SPECIFICATIONS) LOCKABLE FUSED DISCONNECT WITH AUXILIARY CONTACT TO BREAK THE BATTERY FEED, OR CIRCUIT BREAKERS WITH A 3-POLE BREAKER FOR BATTERY FEED REQUIRED, IN COMPLIANCE WITH ELECTRICAL CODE, AS FOLLOWS:  
 (LOCATED ON WALL ON LOCK JAMB SIDE OF MACHINE ROOM DOOR) PERMANENT POWER - BEFORE INSTALLATION CAN BEGIN, PERMANENT POWER MUST BE SUPPLIED.  
 LIGHTING - THE ILLUMINATION SHALL BE NOT LESS THAN 200 LX (19 FOT) AT THE FLOOR LEVEL. IN ALL MACHINE ROOMS AND MACHINERY SPACES, ENSURE AT LEAST 100 LX (10 FOT) AMBIENT LIGHTING OVER LIFT AREA. WHERE APPLICABLE, FOR VOIP PLEASE CONTACT SAVAKIA.  
**\*ENTRANCES**  
 FASCIA PANEL BELOW UPPER LEVEL ENTRANCE - WHERE REQUIRED, FASCIA PANEL MUST BE FASTENED TO A SOLID WALL AND BE PERPENDICULAR TO THE FLOOR AND WALLS. HOISTWAY FASCIA IS NOT SELF-SUPPORTING FOR LONG, CONTINUOUS RUNS VOID OF ENTRANCES. ADEQUATE SUPPORT FOR THE FASCIA MUST BE PROVIDED.  
 ENTRANCE ASSEMBLIES - ENTRANCE ASSEMBLIES MUST BE ADJUSTED TO ALIGN WITH PLATFORM AND INTERLOCK EQUIPMENT. OTHERS TO ALLOW AN ADEQUATE ROUGH OPENING.  
 RETURN WALLS - RETURN WALLS AT ENTRANCES MUST BE BUILT IN BY OTHERS AFTER ENTRANCE ASSEMBLIES ARE IN PLACE. ENTRANCE ASSEMBLY MUST BE SECURELY FASTENED TO WALLS BY ELEVATOR CONTRACTOR.

**GENERAL**  
 CLASSIFICATION: Public Building  
 APPLIED CODE: CSA/ASME A17.1/944-2010 Sec 5.2  
 MODEL: Diron  
 CAPACITY: 1400lbs  
 NOMINAL SPEED: 30 FPM  
 TRAVEL: 120"  
 PIT DEPTH: 14"  
 POWER SUPPLY: 60 Hz Three Phase 208 volt

**HYDRAULIC**  
 PUMP MFR: VICKERS  
 PUMP MODEL: CIDKERS 3P  
 MOTOR: EPV - 7  
 VALVE MODEL NO.: 24 V DC  
 VALVE COIL VOLTS: 1500 PSI (10340 kPa)  
 MAX WORKING PRESSURE: MAX 85% ABOVE ACTUAL WORKING PRESSURE  
 RELIEF VALVE SETTING: 22 Gal.  
 RESERVOIR: 22 Gal.  
 HOSE & SAFETY VALVE: no

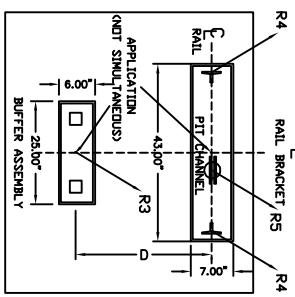


| PIT RE-ACTION FORCE | DOOR TYPE      |
|---------------------|----------------|
| R3 8000 LBS         | ENTRANCE SIDE  |
| R4 3000 LBS         | DOOR LATCH     |
| R5 9000 LBS         | NOT APPLICABLE |

| RAIL FORCES | FOR LOCAL APPLICATION OF PIT LOAD |
|-------------|-----------------------------------|
| *R1 720 lbf | SEE PIT CHANNEL/REFER SECTION     |
| *R2 260 lbf |                                   |
| *R3 260 lbf |                                   |

# SPECIFICATIONS

PLEASE NOTE:  
 CONSULT FACTORY FOR EXACT PUMP & CYLINDER INFORMATION



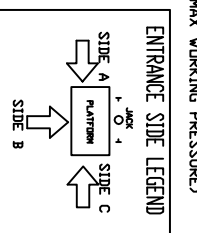
| CAB WIDTH | DIST CID |
|-----------|----------|
| 42"       | 66.75"   |
| 48"       | 30.75"   |
| 54"       | 33.75"   |
| 54"       | 36.75"   |

**FIRST DOOR BY LANDING CHART**

| LANDING 1   | LANDING 2      |
|---|----------------|
| 2 Speed 3000 lbs (White) 2 Speed 3000 lbs (White) | Side B         |
| Left Hand   | Left Hand      |
| NOT APPLICABLE                                    | NOT APPLICABLE |
| KEYLESS   | KEYLESS        |
| 1   | 2              |

**CAR FINISH DETAILS**  
 CAB PANEL SELECTION: Black Steel Colour  
 CEILING SELECTION: standard (white)  
 CAB ENTRANCE: Match Cab  
 PLASTIC LAMINATE FINISHES: Not Applicable  
 POT LIGHT FINISH: Stainless Steel  
 TRIM COLOUR: Not Applicable  
 CAR STATION PLATE: Stainless Steel  
 HAND RAIL TYPE: Stainless Steel  
 CAB FINISHING: Plywood Floor  
 FINISHED FLOOR THICKNESS: 3/8" finish  
 TELEPHONE BOX FINISH: no  
 HAND FREE PHONE: yes, with phone line monitoring

**CAR DIMENSIONS/PLATFORM GATES**  
 CAR TYPE: Type 3  
 CAB HEIGHT: 84" Standard Cab Height  
 CAB OPERATION: automatic operation  
 GATES REQUIRED: Automatic Operated Gates  
 GATE TYPE: 2 Spd Doors (White) match CAB  
 GATE FINISH: Baked Enamel Black  
 INSIDE PLATFORM AREA: 18.06 sf.  
**HOISTWAY**  
 DOOR TYPE: 2 spd Sliding Doors (White)  
 HOISTWAY DOORS FINISH: Standard Finish (Primer Grey)  
 HOISTWAY FINISH: Masonary  
**JACK UNIT**  
 EFFECTIVE STROKE: 63"  
 SOLID PLUNGER D/D: 2 3/4"  
 CYLINDER D/D: 3 1/2"  
 CYLINDER I/D: 3"  
 SPLIT CYLINDER? no  
 COLLAPSED LENGTH: 86 3/4"  
 CYLINDER WALL THICKNESS: 1/4"  
**SUSPENSION**  
 TYPE: AIRCRAFT CABLE 2 x 3/8" DIA.  
 CONSTRUCTION: IVRC 7 X 19 GALVANIZED STEEL RHRL  
 NOMINAL STRENGTH: 14,400 lbs Per Cable  
 SPECS: M1-DTL-89420  
**OVER SPEED VALVE**  
 MODEL: AS PER SECTION 3.19.4.7  
 BLAIN R10 AA  
 (1500psi 10340 kPa) MAX WORKING PRESSURE



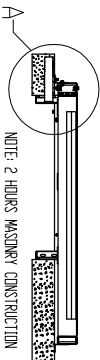
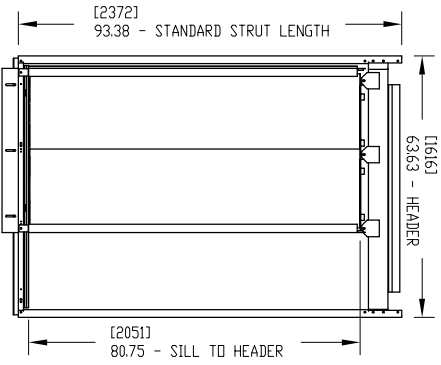
**OPTIONS**  
 FASTENERS: Concrete Anchors  
 FASTENERS SERVICE: Everspan  
 DIVERSIFIED GOV./VALVE: Everspan  
 CONDUCTOR CABLE: No Cable Required  
 DATA ACCESS TERMINAL: No DAT  
 DUPLICATE PROGRAMMING TOOL: Progrommer not included  
 TEMP. RUN BUTTON: Temp Run Button not included  
 SPEEDY SET-UP JIG: Speedy Jig not required

**Data Sheet**  
 LIMITED USE LIMITED APPLICATION

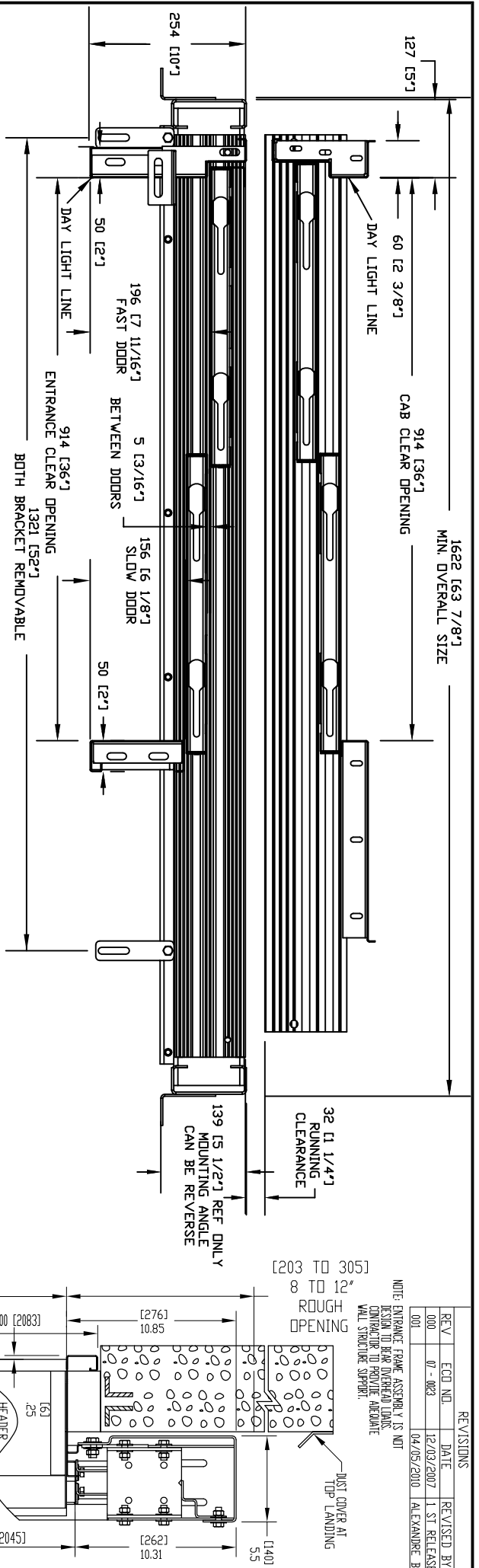
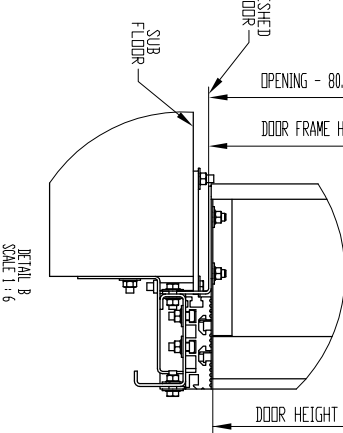
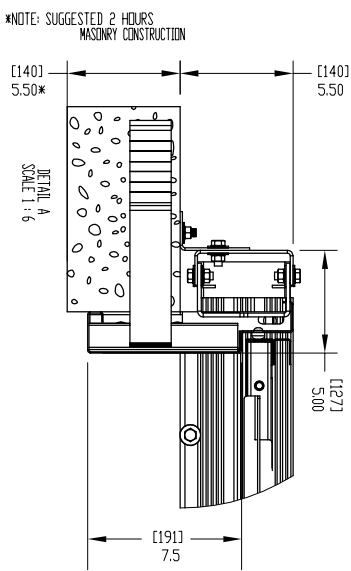
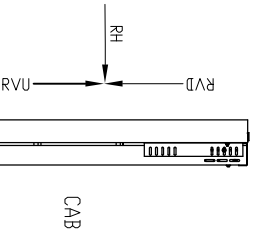
**NATIONWIDE LIFTS-N.Y.**  
 PROJECT: LULA - Doors 90 Degrees Right - Cab 51x51  
 ADDRESS: 88-2333-8180

DATE: 10/30/14  
 DRAWING NO: 10/30/14  
 CHECKED BY: [Signature]  
 APPROVED BY: [Signature]  
**38986**  
**savoria**  
 SHEET NO. 3 OF 4

# LEFT HAND SHOWN



ENTRANCE LOADS ON BUILDING  
 RH = 5000 N (1125 lbf)  
 RVU = 1550 N (350 lbf)  
 RVD = 1000 N (225 lbf)  
 PER SECTION 2.11.11.8.



REVISIONS

| REV | ECO. NO.  | DATE       | REVISIONS    |
|-----|-----------|------------|--------------|
| 001 | 01 - 0623 | 12/03/2007 | 1 ST RELEASE |
| 001 |           | 04/05/2010 | AL EXAMPRE B |

NOTE: ENTRANCE FRAME ASSEMBLY IS NOT DESIGN TO BEAR OVERHEAD LOADS CONTRACTOR TO PROVIDE ADEQUATE WALL STRUCTURE SUPPORT.

LANDING 2 SP. DOOR ASSEMBLY  
 MASONRY CONSTRUCTION 36 X 80

CUSTOMER: NATIONWIDE LIFTS-N.Y.  
 PROJECT: LULA - Doors 90 Degrees Right - Cab 51x51  
 ADDRESS: NATIONWIDE Lifts  
 888-233-8180

OFFICE USE ONLY:  
 CONFIGURATION DESIGN STAMP: 0.0  
 MODEL VERSION Stamp: [1-5-63]

DATE: 10/30/14  
 DRAWN BY: [Signature]  
 CHECKED BY: [Signature]



JOB No. [ ] SHEET No. 4 OF 4